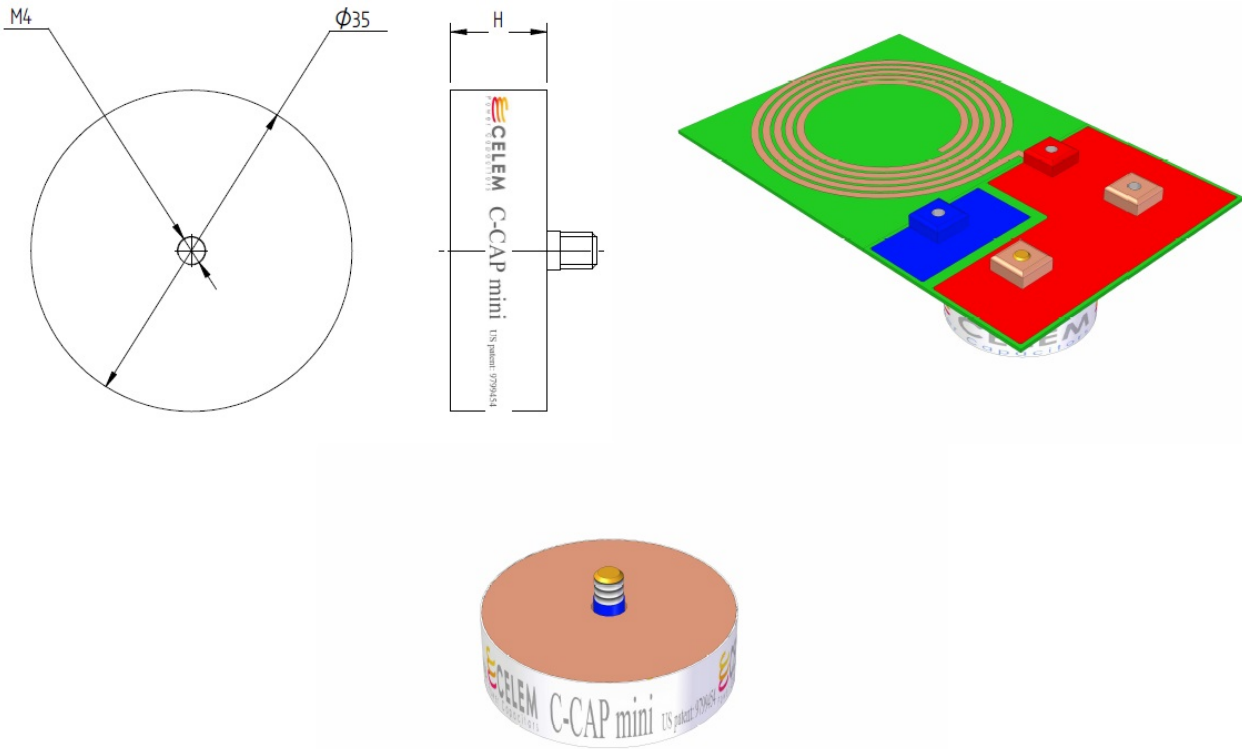


C - CAP mini

Conduction-cooled capacitor



Technology Patented Worldwide



C-Cap mini is a low profile power capacitor. It was developed based on the new innovative coaxial technology (US Patent 9799454) by Celem. It comes in 2 versions, a standard, polypropylene, version and a PPS version for environment up to 125° C.

The C-Cap mini can be customized electrically and mechanically. Different capacitances and voltages available upon request.

C-Cap mini can be mounted from one side of 2 bus-bar system, like the water-cooled C-Cap capacitors.

In addition, due to its relative low power, the C-Cap mini can be mounted on a PCB.

Tightening torque of C-Cap mini is 1 Nm.

Note: Regardless of the cooling method, at full power, capacitor temperature should not raise above 55C during operation.

Specifications

Type		C - CAP mini				
Dimensions (D x H)	mm	Ø35 x 16.8(min)	Ø35 x 10.8(min)	Ø35 x 16.8(min)		
Weight	kg	0.02				
Capacitance (±10%)	µF	0.085µF	0.09µF	0.27µF	0.3µF	0.66µF
Sinusoidal Voltage	V _{rms}	900	700	550	700	550
Peak_Voltage	V	1273	990	778	990	778
Max. Current	A _{rms}	35	36	60		
Max. Power	kVA _r	25				
Freq Range @ Full Power	kHz	58-92	90-92	49-85	27-76	19.9-35

Celem Power Capacitors

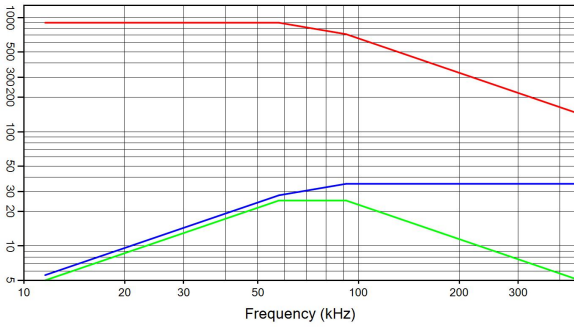
Produced: 14-01-2020

C - CAP mini

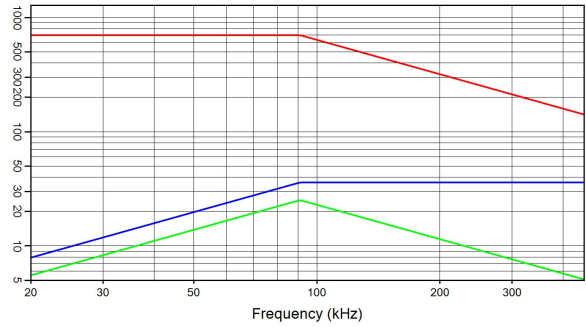
Conduction-cooled capacitor



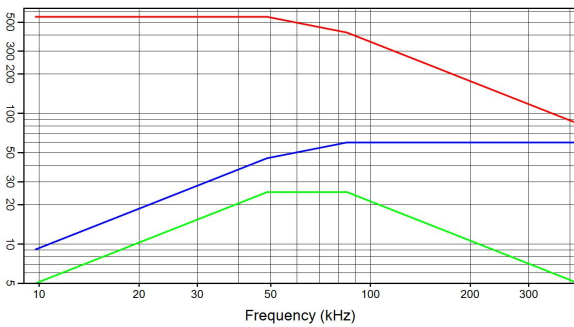
Technology Patented Worldwide



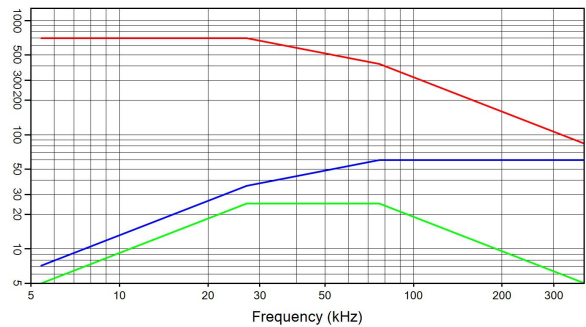
C - CAP mini 0.085 µF 900 V_{rms} 35 A_{rms} 25 kVA_r
 I(A) — Q(kVA_r) — V_{rms}



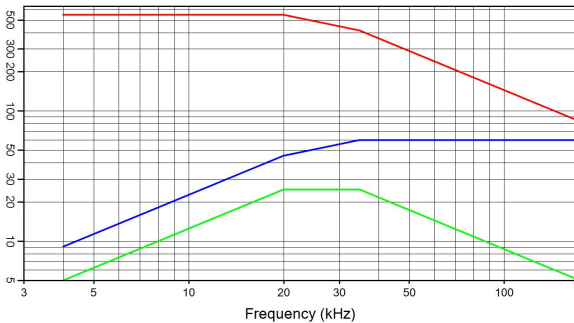
C - CAP mini 0.09 µF 700 V_{rms} 36 A_{rms} 25 kVA_r
 I(A) — Q(kVA_r) — V_{rms}



C - CAP mini 0.27 µF 550 V_{rms} 60 A_{rms} 25 kVA_r
 I(A) — Q(kVA_r) — V_{rms}



C - CAP mini 0.3 µF 700 V_{rms} 60 A_{rms} 25 kVA_r
 I(A) — Q(kVA_r) — V_{rms}



C - CAP mini 0.66 µF 550 V_{rms} 60 A_{rms} 25 kVA_r
 I(A) — Q(kVA_r) — V_{rms}